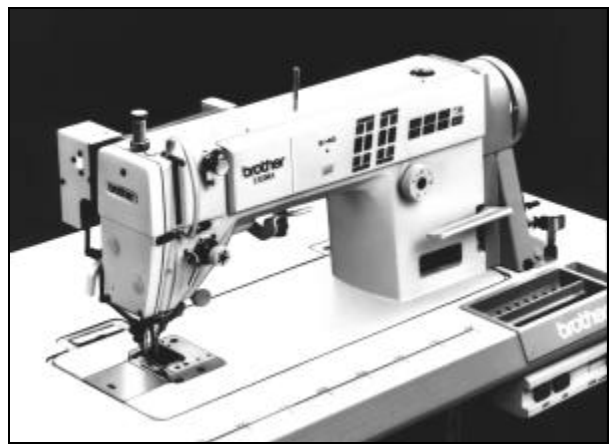


# DB2-B777A - B778

Single Needle Straight Lock Stitcher  
with Side Cutter

Single Needle Straight Lock Stitcher  
with Side Cutter and Thread Trimmer



## Model

DB2-B777-□A

Application	
3	For medium materials

DB2-B778-□□□

	Function		
	Quick back	Thread wiper	Presser foot lifter
10	-	-	-
40	○	○	-
90	○	○	○ (Solenoid)

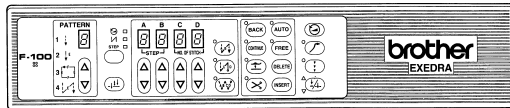
Application	
3	For medium materials

## Specifications

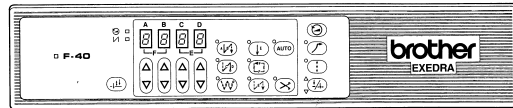
		DB2-B777A	DB2-B778
Application		Medium materials	
Max. speed		4,500 rpm	5,000 rpm
Max. stitch length		4 mm	
Needle bar stroke		31 mm	
Thread take-up stroke		57.4 mm	
Height of presser foot	Manual	5 mm	6 mm
	Knee	13 mm	11 mm
	Auto	8 mm	8 mm
Height of feed dog		1.0 mm	0.8 mm
Needle		DB × 1 #14	DB × 1 #14
Hook		Standard rotary hook	Rotary hook for thread trimming
Bed size		476 x 178 mm	
Arm pocket size		266.5 x 134.5 mm	
Cutting width		Standard 3.2 mm (1/8") 2.5 mm (3/32"), 4.0 mm (5/32"), 4.8 mm (3/16"), 6.4 mm (1/4"), 9.5 mm (3/8")	

# Operation panel

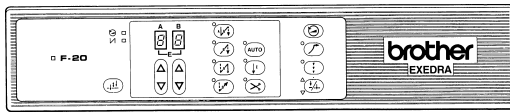
F-100



F-40



F-20



E-0

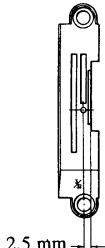
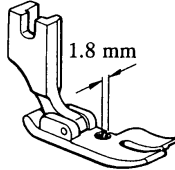
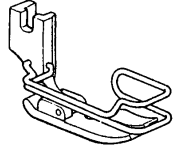
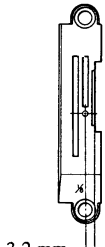
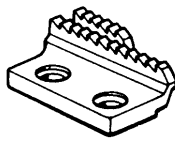
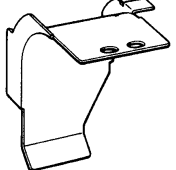
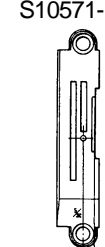
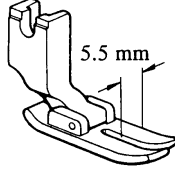
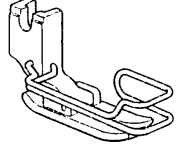
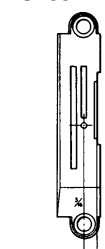
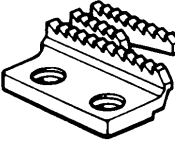
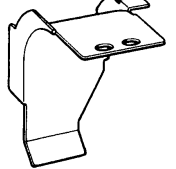
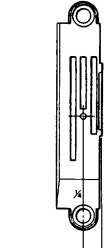
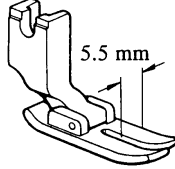
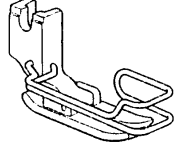
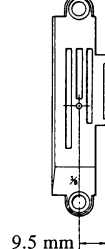
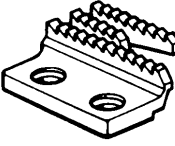
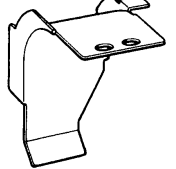


## Panel operation guide

Basic function		Panel	F - 100	F - 40	F - 20	E - 0
Switch						
<b>AUTO</b>	Automatic sewing		○	○	○	-
	Start backtack (0-9)		○	○	○	-
	End backtack (0-9)		○	○	○	-
	Continuous backtack (0-9)		○	○	-	-
	Correction sewing		○	○	○	-
	Half stitch		○	○	○	-
	Sewing speed setting		○	○	○	-
	Slow start sewing		○	○	○	-
	Needle up stop / Needle down stop		○	○	○	-
Pattern sewing						
	Normal lock stitch		○	○	○	○
	Fixed stitch (1-99)		○v	○	○	-
	Name label stitch (1-99)		○	○	-	-
	Pleats presser stitch (1-99)		○	○	-	-
<b>PATTERN</b>	Pattern stitch		○	-	-	-
Pattern setting						
	Automatic thread trimming		○	○	○	-
	Automatic presser foot lifting		○	-	-	-
<b>BACK</b>	Back stitch		○	-	-	-
<b>CONTINUE</b>	Continuous stitch		○	-	-	-
<b>DELETE</b>	Step deletion		○	-	-	-
<b>INSERT</b>	Step insertion		○	-	-	-
<b>FREE</b>	Temporarily cancel programming sewing		○	-	-	-

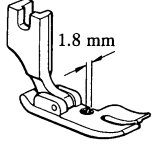
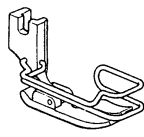
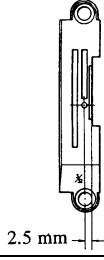

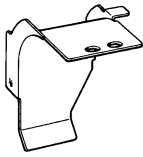
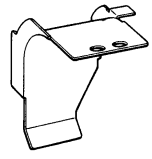
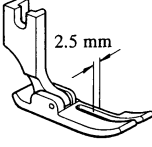
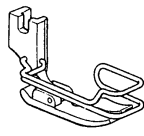
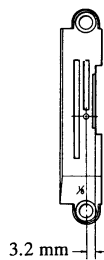
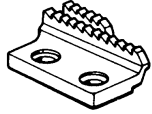
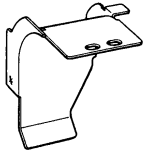
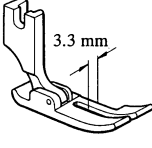
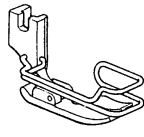
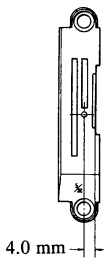
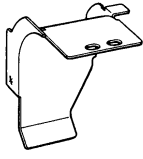
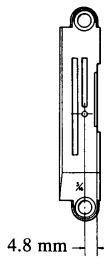
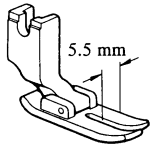
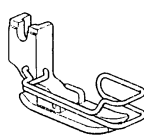
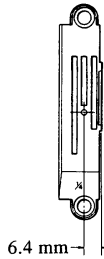
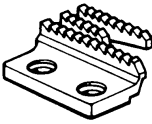
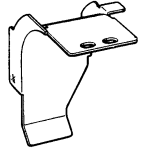
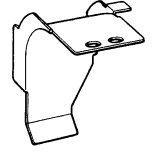
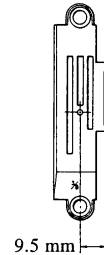
# Gauge parts list

[Model DB2-B777A]

Cutting width	Presser foot assy		Needle plate	Feed dog	Material guide
2.5 mm (3/32")	S10576-101	S36895-001	S10569-101 	S10583-001	S10609-001
3.2 mm (1/8")			S10570-101 		
4 mm (5/32")			S10571-101 		
4.8 mm (3/16")			S10572-101 		
6.4 mm (1/4")			S10573-101 		
9.5 mm (3/8")			S10574-101 		

# Gauge parts list

[Model DB2-B778]

Cutting width	Presser foot assy		Needle plate	Feed dog	Material guide	
					Standard	Knife (R)
2.5 mm (3/32")	S10576-101 	S36895-001 	S10569-101 	S10583-001 	S16376-001 	S16380-001 
3.2 mm (1/8")	S16316-101 	S36896-001 	S10570-101 		S16377-001 	
4 mm (5/32")	S16320-101 	S36897-001 	S10571-101 		S16377-001 	
4.8 mm (3/16")			S10572-101 			
6.4 mm (1/4")	141158-101 	S36898-001 	S10573-101 	S10584-001 	S16378-001 	S16381-001 
9.5 mm (3/8")			S10574-101 		S16379-001 